



Operating Instructions

- pico+15/I
- pico+25/I
- pico+35/I
- pico+100/I
- pico+15/U
- pico+25/U
- pico+35/U
- pico+100/U
- pico+15/WK/I
- pico+25/WK/I
- pico+35/WK/I
- pico+100/WK/I
- pico+15/WK/U
- pico+25/WK/U
- pico+35/WK/U
- pico+100/WK/U

Product Description

The pico+ sensor offers a non-contact measurement of the distance to an object that has to be present within the sensor's detection zone. Depending on the set window limits, a distance-proportional analogue signal is output. The window limits of the analogue output and its characteristic can be adjusted with the Teach-in procedure. Two LEDs indicate operation and the state of the analogue output.

Safety Notes

- Read the operating instructions prior to start-up.
- Connection, installation and adjustment works should be carried out by expert personnel only.
- No safety component in accordance with the EU Machine Directive

Proper use

pico+ ultrasonic sensors are used for non-contact detection of objects.

Installation

- Mount the sensor at the installation site.
- Connect a connection cable to the M12 device plug.

Start-Up

- Connect the power supply.

- Carry out the sensor adjustment in accordance with the diagram.

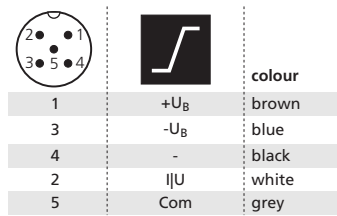


Fig. 1: Pin assignment with view onto sensor plug and colour coding of the microsonic connection cable

Factory Setting

- Rising analogue characteristic curve between the blind zone and the operating range
- Multifunctional input »Com« set to »Teach-in«

Synchronization

If the assembly distance falls below the values shown in Fig. 2, the internal synchronization should be used. For this purpose set the switched outputs of all sensors in accordance to the diagram »Sensor adjustment with Teach-in procedure« at first. Then set the multifunctional output »Com« to »synchronization« (see »Further settings«). Finally connect pin 5 of the sensors plug of all sensors.

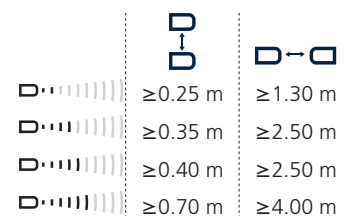


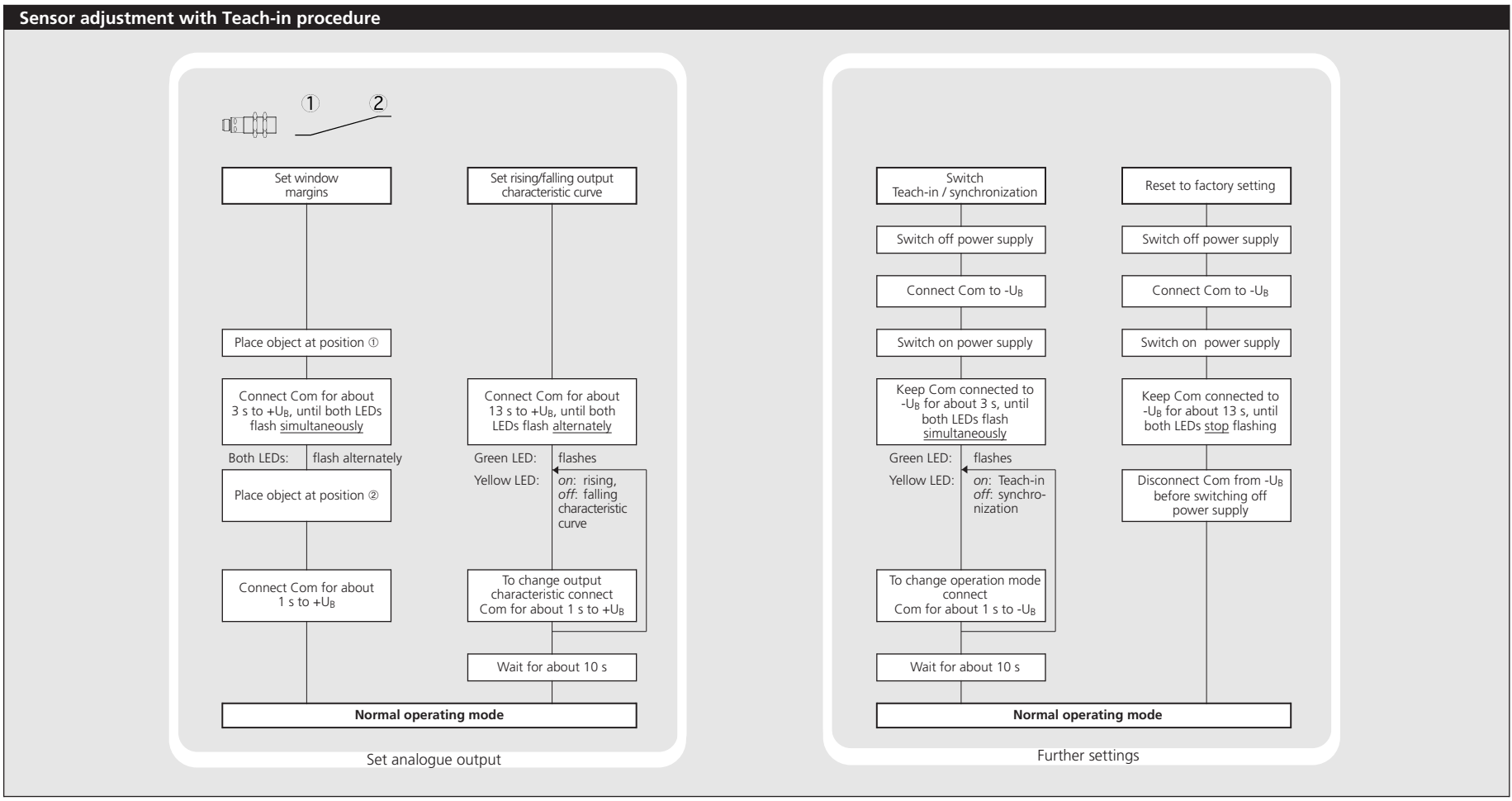
Fig. 2: Assembly distances, indicating synchronization

Maintenance

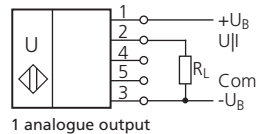
microsonic sensors are maintenance-free. In case of excess caked-on dirt we recommend to clean the white sensor surface.

Notes

- The sensors of the pico+ family have a blind zone. Within this zone a distance measurement is not possible.
- The pico+ sensors are equipped with an internal temperature compensation. Due to the sensors self heating, the temperature compensation reaches its optimum working-point after approx. 20 minutes of operation.
- In the normal operating mode, an illuminated yellow LED signals the object is within the adjusted window limits.
- If synchronization is activated the Teach-in is disabled (see »Further settings«).
- The sensor can be reset to its factory setting (see »Further settings«).
- Optionally all Teach-in and additional sensor parameter settings can be made using the LinkControl adapter (optional accessory) and the LinkControl software for windows®.

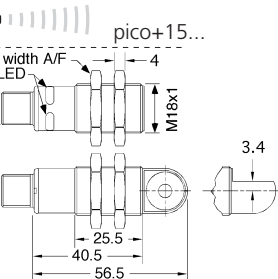


Technical data

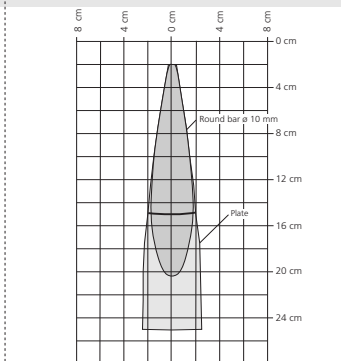


blind zone 20 mm
operating range 150 mm
maximum range 250 mm
angle of beam spread See detection zone
transducer frequency 380 kHz
resolution 0.069 mm

detection zones for different objects:
 The dark grey areas are determined with a round bar and indicate the typical operating range of a sensor. In order to obtain the light grey areas, a plate (100 x 100 mm) is introduced into the beam spread from the side. In doing so, the optimum angle between plate and sensor is always employed. This therefore indicates the maximum detection zone of the sensor. It is not possible to evaluate ultrasonic reflections outside this area.



blind zone 30 mm
operating range 250 mm
maximum range 350 mm
angle of beam spread See detection zone
transducer frequency 320 kHz
resolution 0.069 mm bis 0.10 mm, depending on the analogue window

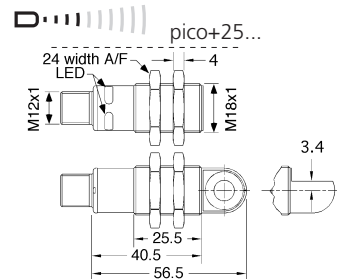


reproducibility ± 0.15 %
accuracy ± 1 % (Temperature drift internal compensated)
no-load current consumption < 40 mA
operating voltage ripple ± 10 %
housing brass sleeve, nickel-plated, plastic parts: PBT; ultrasonic transducer: polyurethane foam, epoxy resin with glass content

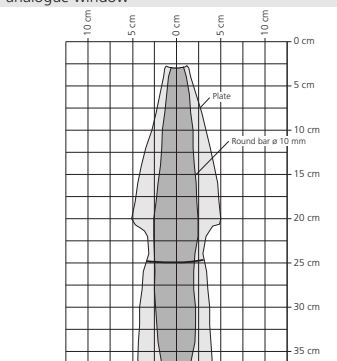
max. tightening torque of nuts 15 Nm
class of protection to EN 60 529 IP 67
type of connection 5-pin M12 initiator plug
controls Teach-in via pin 5 (Com)
indicators LED green (operation)
 LED yellow (state of analogue output)
programmable Teach-in, LinkControl
synchronisation internal synchronisation up to 10 sensors
operating temperature -25°C to +70°C
storage temperature -40°C to +85°C
response time 1) 32 ms
time delay before availability 1) < 300 ms
norm conformity EN 60947-5-2

analogue output 4-20 mA $R_L \leq 500 \Omega$, rising/falling characteristic
operating voltage U_B 10 - 30 V DC for $R_L \leq 100 \Omega$,
 20 - 30 V DC for $R_L > 100 \Omega$,
 terminal reverse polarity protected, Class 2

order no. directly radiating **pico+15/I**
weight 30 g
order no. angular head **pico+15/WK/I**
weight 35 g
analogue output 0-10 V $R_L \geq 100 \text{ k}\Omega$, short circuit proof, rising/falling characteristic
operating voltage U_B 15 - 30 V DC, terminal reverse polarity protected, Cl. 2
order no. directly radiating **pico+15/U**
weight 30 g
order no. angular head **pico+15/WK/U**
weight 35 g



blind zone 65 mm
operating range 250 mm
maximum range 600 mm
angle of beam spread See detection zone
transducer frequency 400 kHz
resolution 0.069 mm bis 0.17 mm, depending on the analogue window

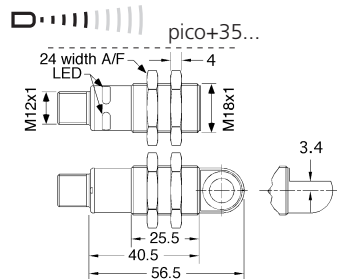


reproducibility ± 0.15 %
accuracy ± 1 % (Temperature drift internal compensated)
no-load current consumption < 40 mA
operating voltage ripple ± 10 %
housing brass sleeve, nickel-plated, plastic parts: PBT; ultrasonic transducer: polyurethane foam, epoxy resin with glass content

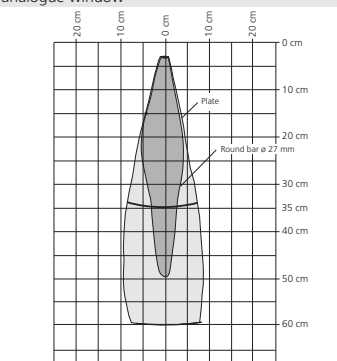
max. tightening torque of nuts 15 Nm
class of protection to EN 60 529 IP 67
type of connection 5-pin M12 initiator plug
controls Teach-in via pin 5 (Com)
indicators LED green (operation)
 LED yellow (state of analogue output)
programmable Teach-in, LinkControl
synchronisation internal synchronisation up to 10 sensors
operating temperature -25°C to +70°C
storage temperature -40°C to +85°C
response time 1) 32 ms
time delay before availability 1) < 300 ms
norm conformity EN 60947-5-2

analogue output 4-20 mA $R_L \leq 500 \Omega$, rising/falling characteristic
operating voltage U_B 10 - 30 V DC for $R_L \leq 100 \Omega$,
 20 - 30 V DC for $R_L > 100 \Omega$,
 terminal reverse polarity protected, Class 2

order no. directly radiating **pico+25/I**
weight 30 g
order no. angular head **pico+25/WK/I**
weight 35 g
analogue output 0-10 V $R_L \geq 100 \text{ k}\Omega$, short circuit proof, rising/falling characteristic
operating voltage U_B 15 - 30 V DC, terminal reverse polarity protected, Cl. 2
order no. directly radiating **pico+25/U**
weight 30 g
order no. angular head **pico+25/WK/U**
weight 35 g



blind zone 120 mm
operating range 350 mm
maximum range 1,300 mm
angle of beam spread See detection zone
transducer frequency 200 kHz
resolution 0.069 mm bis 0.38 mm, depending on the analogue window

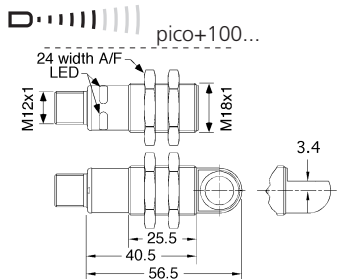


reproducibility ± 0.15 %
accuracy ± 1 % (Temperature drift internal compensated)
no-load current consumption < 40 mA
operating voltage ripple ± 10 %
housing brass sleeve, nickel-plated, plastic parts: PBT; ultrasonic transducer: polyurethane foam, epoxy resin with glass content

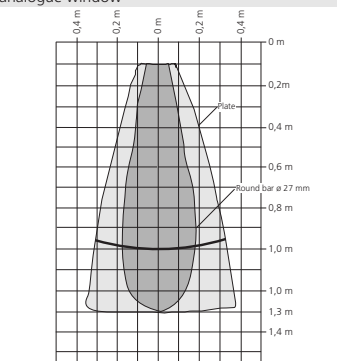
max. tightening torque of nuts 15 Nm
class of protection to EN 60 529 IP 67
type of connection 5-pin M12 initiator plug
controls Teach-in via pin 5 (Com)
indicators LED green (operation)
 LED yellow (state of analogue output)
programmable Teach-in, LinkControl
synchronisation internal synchronisation up to 10 sensors
operating temperature -25°C to +70°C
storage temperature -40°C to +85°C
response time 1) 64 ms
time delay before availability 1) < 300 ms
norm conformity EN 60947-5-2

analogue output 4-20 mA $R_L \leq 500 \Omega$, rising/falling characteristic
operating voltage U_B 10 - 30 V DC for $R_L \leq 100 \Omega$,
 20 - 30 V DC for $R_L > 100 \Omega$,
 terminal reverse polarity protected, Class 2

order no. directly radiating **pico+35/I**
weight 30 g
order no. angular head **pico+35/WK/I**
weight 35 g
analogue output 0-10 V $R_L \geq 100 \text{ k}\Omega$, short circuit proof, rising/falling characteristic
operating voltage U_B 15 - 30 V DC, terminal reverse polarity protected, Cl. 2
order no. directly radiating **pico+35/U**
weight 30 g
order no. angular head **pico+35/WK/U**
weight 35 g



blind zone 120 mm
operating range 350 mm
maximum range 1,300 mm
angle of beam spread See detection zone
transducer frequency 200 kHz
resolution 0.069 mm bis 0.38 mm, depending on the analogue window



reproducibility ± 0.15 %
accuracy ± 1 % (Temperature drift internal compensated)
no-load current consumption < 40 mA
operating voltage ripple ± 10 %
housing brass sleeve, nickel-plated, plastic parts: PBT; ultrasonic transducer: polyurethane foam, epoxy resin with glass content

max. tightening torque of nuts 15 Nm
class of protection to EN 60 529 IP 67
type of connection 5-pin M12 initiator plug
controls Teach-in via pin 5 (Com)
indicators LED green (operation)
 LED yellow (state of analogue output)
programmable Teach-in, LinkControl
synchronisation internal synchronisation up to 10 sensors
operating temperature -25°C to +70°C
storage temperature -40°C to +85°C
response time 1) 80 ms
time delay before availability 1) < 300 ms
norm conformity EN 60947-5-2

analogue output 4-20 mA $R_L \leq 500 \Omega$, rising/falling characteristic
operating voltage U_B 10 - 30 V DC for $R_L \leq 100 \Omega$,
 20 - 30 V DC for $R_L > 100 \Omega$,
 terminal reverse polarity protected, Class 2

order no. directly radiating **pico+100/I**
weight 30 g
order no. angular head **pico+100/WK/I**
weight 35 g
analogue output 0-10 V $R_L \geq 100 \text{ k}\Omega$, short circuit proof, rising/falling characteristic
operating voltage U_B 15 - 30 V DC, terminal reverse polarity protected, Cl. 2
order no. directly radiating **pico+100/U**
weight 30 g
order no. angular head **pico+100/WK/U**
weight 35 g

1) Can be programmed with LinkControl

