



### Product description

The lpc+ sensor offers a non-contact measurement of the distance to an object which must be positioned within the sensor's detection zone. The switched output is set conditional upon the adjusted detect distance. Via the Teach-in procedure, the detect distance and operating mode can be adjusted. Two LEDs indicate operation and the state of the switched output.

The lpc+ sensors are IO-Link-capable in accordance with IO-Link specification V1.1 and support Smart Sensor Profile like Digital Measuring Sensor.

### Safety instructions

- Read the operating instructions prior to start-up.
- Connection, installation and adjustments may only be carried out by qualified staff.

justments may only be carried out by qualified staff.

- No safety component in accordance with the EU Machine Directive

### Use for intended purpose only

lpc+ ultrasonic sensors are used for non-contact detection of objects.

### Installation

- Mount the sensor at the place of fitting.
- Connect a connection cable to the M12 device plug, see fig. 1.

### Start-up

- Connect the power supply.
- Carry out sensor adjustment in accordance with the diagram »Sensor adjustment with the Teach-in procedure«.

	+U <sub>B</sub>	brown
	-U <sub>B</sub>	blue
	F1	black
	F2	white
	Com	grey

Fig. 1: Pin assignment with view onto sensor plug and colour coding of the microsonic connection cables

### Factory setting

- Detect point operation
- Switched output on NOC
- Detect distance at operating range
- Multi-function input »Com« set to »Teach-in«
- Filter at F01
- Filter strength at P00

### Operating modes

Three operating modes are available for the switched output:

- Operation with one detect point  
The switched output is set when the object falls below the set detect point.
- Window mode  
The switched output is set when the object is within the set window.
- Two-way reflective barrier  
The switched output is set when the object is between sensor and fixed reflector.

### Synchronisation

If under multiple sensor operation the assembly distance falls below the values shown in fig. 2, the internal synchronisation should be used. For this purpose set the switched out-

puts of all sensors in accordance with the diagram »Sensor adjustment with the Teach-in procedure«. Then switch-on the multi-function output »Com« to »Teach-in« and »synchronisation« (see »Further settings«). Finally interconnect each pin 5 of the sensors to be synchronised.

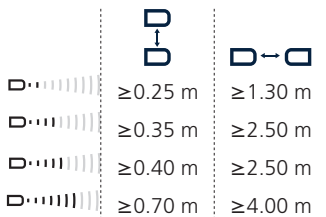


Fig. 2: Assembly distances

### Maintenance

microsonic sensors are maintenance-free. In case of excess caked-on dirt we recommend cleaning the white sensor surface.

### Notes

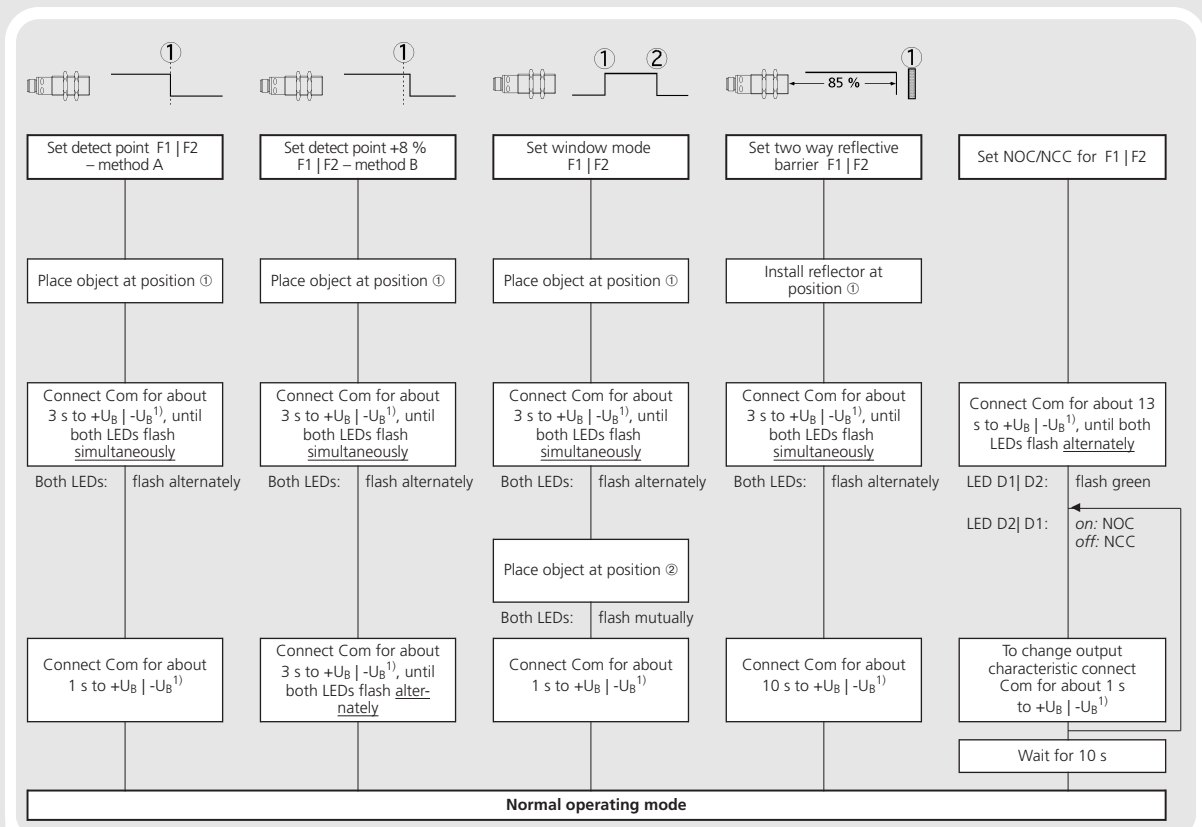
- The sensors of the lpc+ family have a blind zone, within which a distance measurement is not possible.
- The lpc+ sensors are equipped with an internal temperature compensation. Due to the sensors self heating, the temperature compensation reaches its optimum working-point after approx. 120 seconds of operation.
- The lpc+ sensors have two push-pull switched outputs.
- In the normal operating mode, an illuminated yellow LED signals that the switched output is switched through.
- In the »Two-way reflective barrier« operating mode, the object has to be within the range of 0-85 % of the set distance.
- In the »Set detect point – method A« Teach-in procedure the actual distance to the object is taught to the sensor as the detect point. If the object moves towards the sensor (e.g. with level control) then the taught distance is the level at which the sensor has to switch the output, see fig. 3.

### Operating Instructions

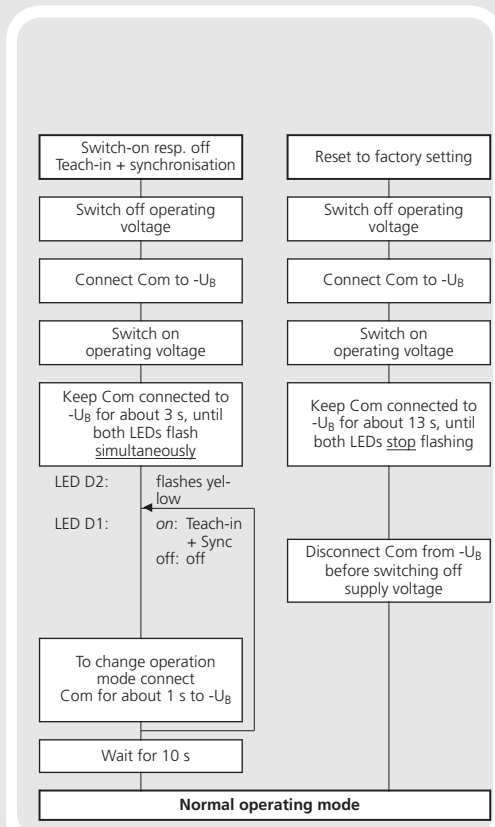
### Ultrasonic proximity switch with one switched output and IO-Link

- lpc+15/CFF
- lpc+25/CFF
- lpc+35/CFF
- lpc+100/CFF
- lpc+15/WK/CFF
- lpc+25/WK/CFF
- lpc+35/WK/CFF
- lpc+100/WK/CFF

### Sensor adjustment with Teach-in procedure



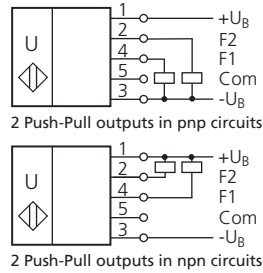
Normal operating mode



Further Settings

1) To set up output F1 connect Com with +U<sub>B</sub>, LED D1 displays the state of the switched output. LED D1 signals the Teach-in process in green. To set up output F2 connect Com with -U<sub>B</sub>, LED D2 displays the state of the switched output. LED D2 signals the Teach-in process in green.

**Technical data**

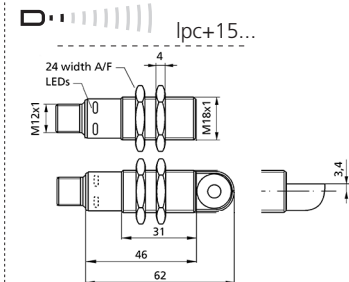


**blind zone**  
**operating range**  
**maximum range**  
**angle of beam spread**  
**transducer frequency**  
**resolution**  
**reproducibility**

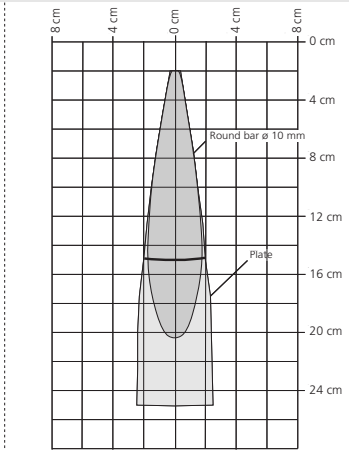
**detection zones**  
 for different objects:  
 The dark grey areas represent the zone where it is easy to recognise the normal reflector (round bar). This indicates the typical operating range of the sensors. The light grey areas represent the zone where a very large reflector – for instance a plate – can still be recognized. The requirement here is for an optimum alignment to the sensor. It is not possible to evaluate ultrasonic reflections outside this area.

**accuracy**  
**operating voltage  $U_B$**   
**voltage ripple**  
**no-load current consumption**  
**housing**  
**max. tightening torque of nuts**  
**class of protection per EN 60 529**  
**type of connection**  
**controls**  
**indicators**  
**programmable**  
**synchronisation**  
**operating temperature**  
**storage temperature**  
**switched output**  
**switching hysteresis**<sup>1)</sup>  
**switching frequency**<sup>1)</sup>  
**response time**<sup>1)</sup>  
**time delay before availability**<sup>1)</sup>  
**norm conformity**

**order no. directly radiating**  
**weight**  
**order no. angular head**  
**weight**

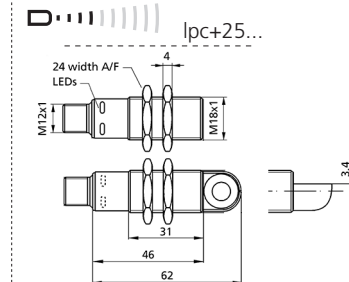


20 mm  
 150 mm  
 250 mm  
 see detection zone  
 380 kHz  
 0,1 mm  
 ± 0.15 %

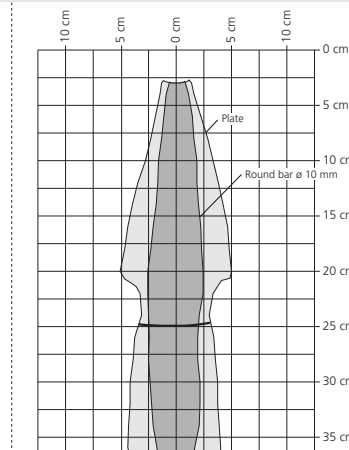


±1 % (temperature drift internally compensated)  
 10 - 30 V DC, reverse polarity protection (Class 2)  
 ±10 %  
 < 60 mA  
 brass sleeve, nickel-plated, plastic parts: PBT; ultrasonic transducer: polyurethane foam, epoxy resin with glass content  
 15 Nm  
 IP 67  
 5-pin M12 circular plug  
 Teach-in via pin 5 (Com)  
 LED green (operation)  
 LED yellow (state of output)  
 Teach-in, LinkControl  
 internal synchronisation up to 10 sensors  
 -25°C to +70°C  
 -40°C to +85°C  
 Push-Pull,  $U_B$ -3 V,  $-U_B$ +3 V,  $I_{max}$  = 100 mA  
 switchable NOC/NCC, short-circuit-proof  
 2 mm  
 25 Hz  
 32 ms  
 < 300 ms  
 EN 60947-5-2

**lpc+15/CFF**  
 35 g  
**lpc+15/WK/CFF**  
 40 g

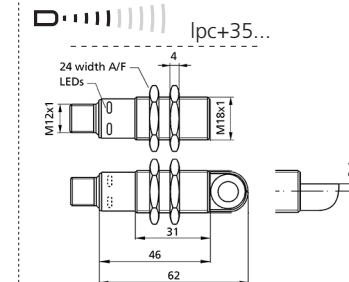


30 mm  
 250 mm  
 350 mm  
 see detection zone  
 320 kHz  
 0,1 mm  
 ± 0.15 %

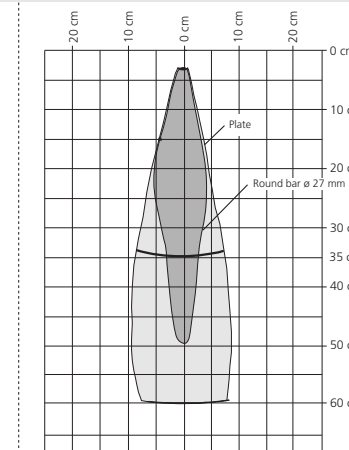


±1 % (temperature drift internally compensated)  
 10 - 30 V DC, reverse polarity protection (Class 2)  
 ±10 %  
 < 60 mA  
 brass sleeve, nickel-plated, plastic parts: PBT; ultrasonic transducer: polyurethane foam, epoxy resin with glass content  
 15 Nm  
 IP 67  
 5-pin M12 circular plug  
 Teach-in via pin 5 (Com)  
 LED green (operation)  
 LED yellow (state of output)  
 Teach-in, LinkControl  
 internal synchronisation up to 10 sensors  
 -25°C to +70°C  
 -40°C to +85°C  
 Push-Pull,  $U_B$ -3 V,  $-U_B$ +3 V,  $I_{max}$  = 100 mA  
 switchable NOC/NCC, short-circuit-proof  
 3 mm  
 25 Hz  
 32 ms  
 < 300 ms  
 EN 60947-5-2

**lpc+25/CFF**  
 35 g  
**lpc+25/WK/CFF**  
 40 g

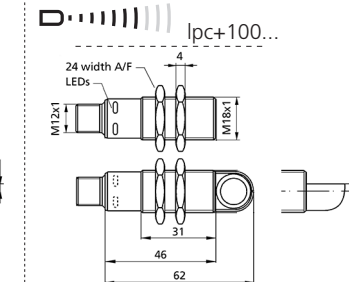


65 mm  
 350 mm  
 600 mm  
 see detection zone  
 400 kHz  
 0,1 mm  
 ± 0.15 %

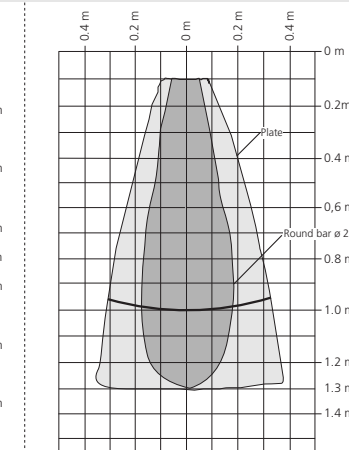


±1 % (temperature drift internally compensated)  
 10 - 30 V DC, reverse polarity protection (Class 2)  
 ±10 %  
 < 60 mA  
 brass sleeve, nickel-plated, plastic parts: PBT; ultrasonic transducer: polyurethane foam, epoxy resin with glass content  
 15 Nm  
 IP 67  
 5-pin M12 circular plug  
 Teach-in via pin 5 (Com)  
 LED green (operation)  
 LED yellow (state of output)  
 Teach-in, LinkControl  
 internal synchronisation up to 10 sensors  
 -25°C to +70°C  
 -40°C to +85°C  
 Push-Pull,  $U_B$ -3 V,  $-U_B$ +3 V,  $I_{max}$  = 100 mA  
 switchable NOC/NCC, short-circuit-proof  
 5 mm  
 12 Hz  
 64 ms  
 < 300 ms  
 EN 60947-5-2

**lpc+35/CFF**  
 35 g  
**lpc+35/WK/CFF**  
 40 g



120 mm  
 1,000 mm  
 1,300 mm  
 see detection zone  
 200 kHz  
 0,1 mm  
 ± 0.15 %



±1 % (temperature drift internally compensated)  
 10 - 30 V DC, reverse polarity protection (Class 2)  
 ±10 %  
 < 60 mA  
 brass sleeve, nickel-plated, plastic parts: PBT; ultrasonic transducer: polyurethane foam, epoxy resin with glass content  
 15 Nm  
 IP 67  
 5-pin M12 circular plug  
 Teach-in via pin 5 (Com)  
 LED green (operation)  
 LED yellow (state of output)  
 Teach-in, LinkControl  
 internal synchronisation up to 10 sensors  
 -25°C to +70°C  
 -40°C to +85°C  
 Push-Pull,  $U_B$ -3 V,  $-U_B$ +3 V,  $I_{max}$  = 100 mA  
 switchable NOC/NCC, short-circuit-proof  
 20 mm  
 10 Hz  
 80 ms  
 < 300 ms  
 EN 60947-5-2

**lpc+100/CFF**  
 35 g  
**lpc+100/WK/CFF**  
 40 g

■ If the object to be scanned moves into the detection area from the side, the »Set detect point +8 % – method B« Teach-in procedure should be used. In this way the switching distance is set 8 % further than the actual measured distance to the object. This ensures a reliable switching distance even if the height of the objects varies slightly, see fig. 3.

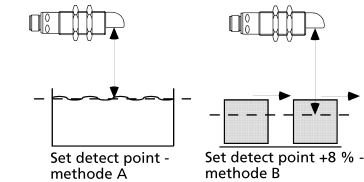


Fig. 3: Setting the detect point for different directions of movement of the object

- The sensor can be reset to its factory setting (see »Further settings«).
- Using the LinkControl adapter (optional accessory) and the LinkControl software for Windows, all Teach-in and additional sensor parameter settings can be optionally undertaken.
- The latest IODD file and information about start-up and configuration of lpc+ sensors with IO-Link, you will find online at: [www.microsonic.de/lpc+](http://www.microsonic.de/lpc+)

